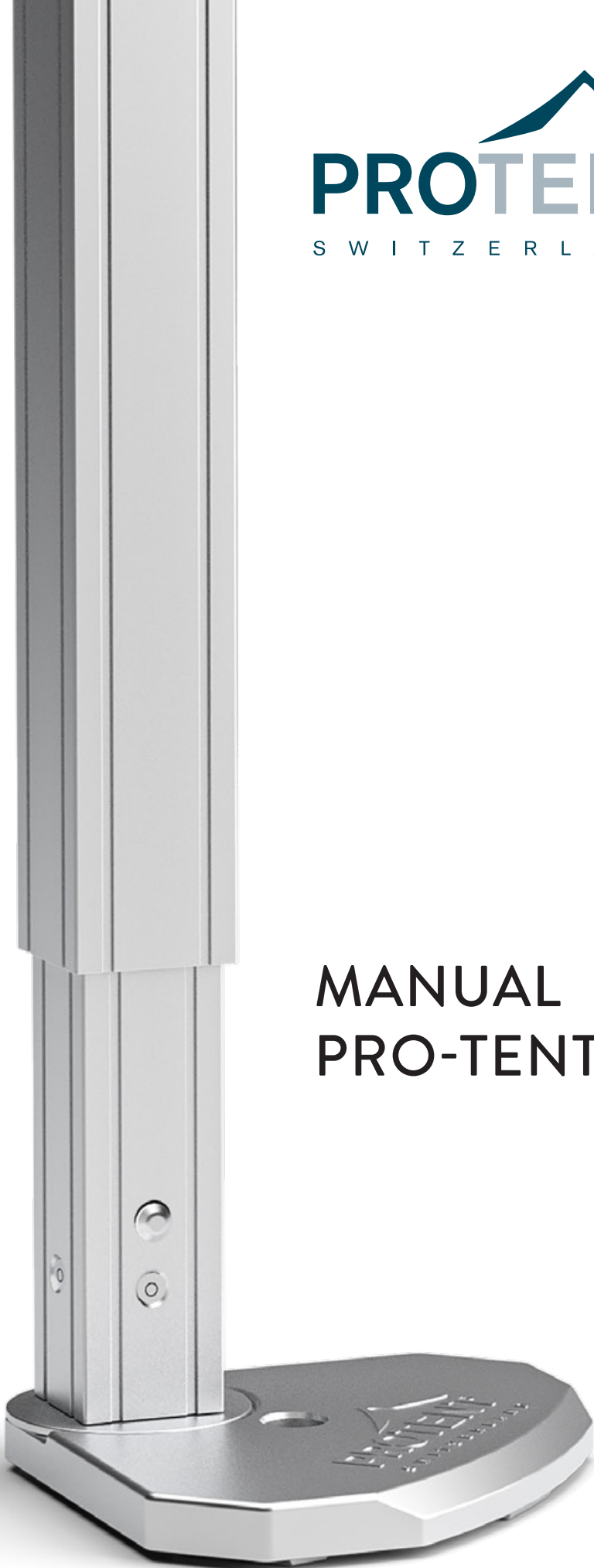




# MANUAL PRO-TENT 2000



## AREAS OF APPLICATION

### Important points to note

- Pro-Tent tent systems have been designed for temporary outdoor use to provide protection from sun and rain.
- **Do not use Pro-Tent tent systems in extreme weather such as storms, snowfall or hail.**

In windy conditions, the Pro-Tent tent systems must be secured using the included tensioning kit and/or original Pro-Tent weight plates. For further information see pages 10/11.

- Pro-Tent tent systems should not be exposed to extreme weather conditions such as storms, snowfall or hail. In wind and rain, the Pro-Tent tent systems must be secured with our weight plates and/or tensioning ropes and tent pegs.
- Bear in mind that the colouring of the synthetic fabric may fade over time as a result of UV radiation.
- Never fold up the fabric roof when it is damp. It is best to lay it loosely over the frame in a dry room.
- Pro-Tent tent systems have been released for delivery by our quality assurance department and marked "flawless in workmanship and function". If you still have reason to complain about this product, please contact your local sales office immediately.

### Product warranty

We grant a 5-year warranty, starting from the day of sale for the folding construction of the Pro-Tent tent systems. During this time, our warranty covers the following (upon presentation of the purchase receipt):

- The free replacement of defective parts due to quality defects on the part of the manufacturer, including labour.

Further claims within warranty processing with the Pro-Tent tent systems cannot be asserted. Defects that occur as a result of not complying with these instructions are excluded from the warranty in all cases.

## SCOPE OF DELIVERY

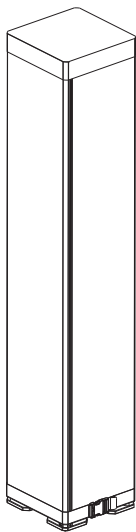
- a) 1 aluminium frame
- b) 1 carrier bag
- c) 1 assembly instructions
- d) 1 tensioning set

# ASSEMBLY

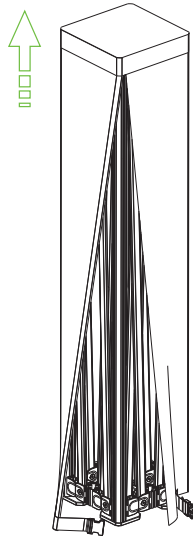
The Pro-Tent folding tent can be assembled comfortably by two people. Many steps should be carried out at the same time. This generally applies to the entire assembly and dismantling process.

## Step 1:

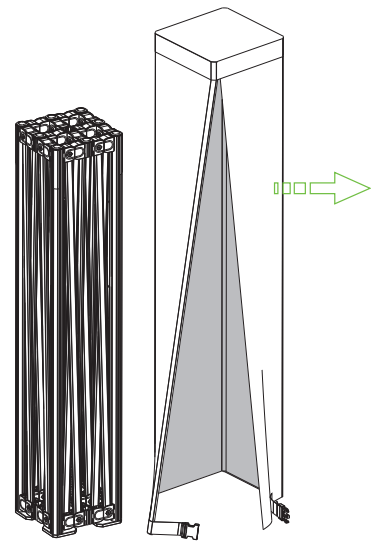
Open the buckle at the bottom of the bag.



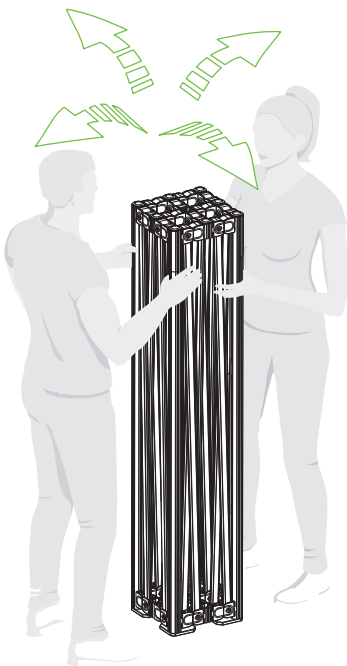
Open the zip of the transport bag, which is now accessible, as far as it will go.



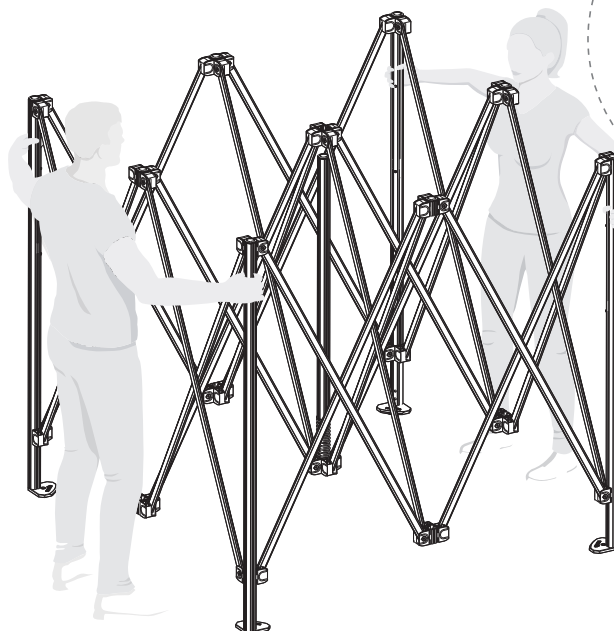
Remove the bag from the side of the frame and store it safely until you need it again.



Grasp the frame on the outer profiles. Lift the frame slightly. Open the frame



by stepping backwards and spreading your arms at the same time.



## TIP

It is best to always grasp the frame on the shorter side - i.e. on the 3m side of a 6 x 3m tent.

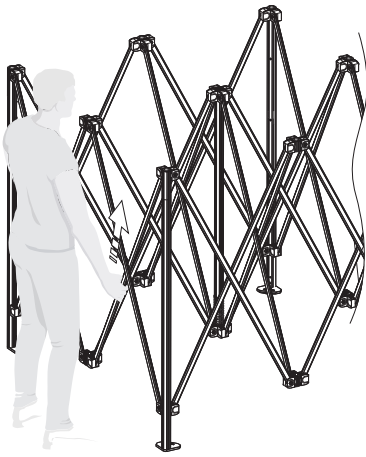


Assembly video

## ASSEMBLY

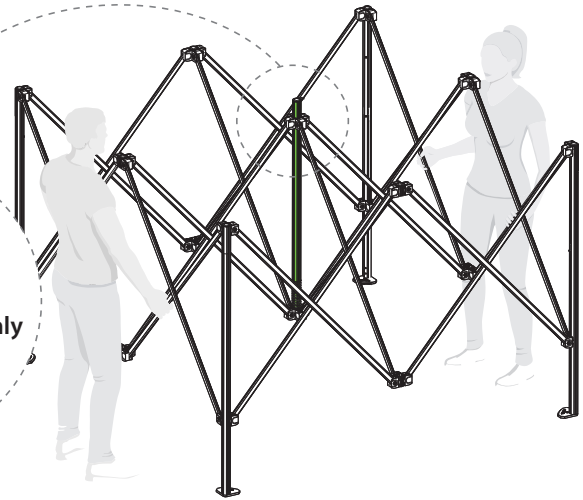
### Step 2:

Hold the frame **below** the middle pivot point by the cross struts. This is the optimal handling position for opening the frame. Lift the frame slightly and open it by stepping back only so far that the gable pole extends about 10 cm.



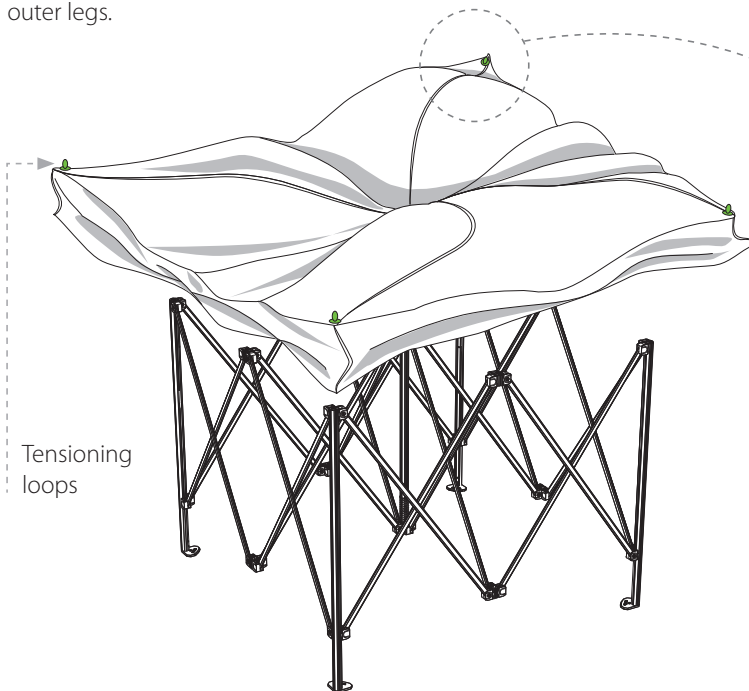
### TIP

When positioning the fabric roof, the gable pole should only be extended by about 10 cm.



### Step 3:

Throw over and fix the four corners of the fabric roof to the outer legs.



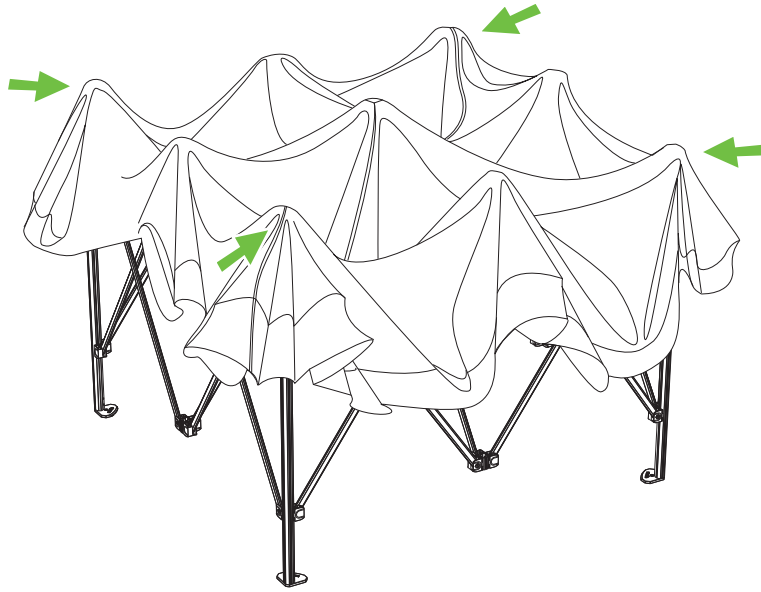
### TIP

The corners of the fabric roof are easily recognisable by the sewn-on tensioning loops. After the first assembly, the roof can remain in place. However, never store the tent in the transport bag when it is damp.

## ASSEMBLY

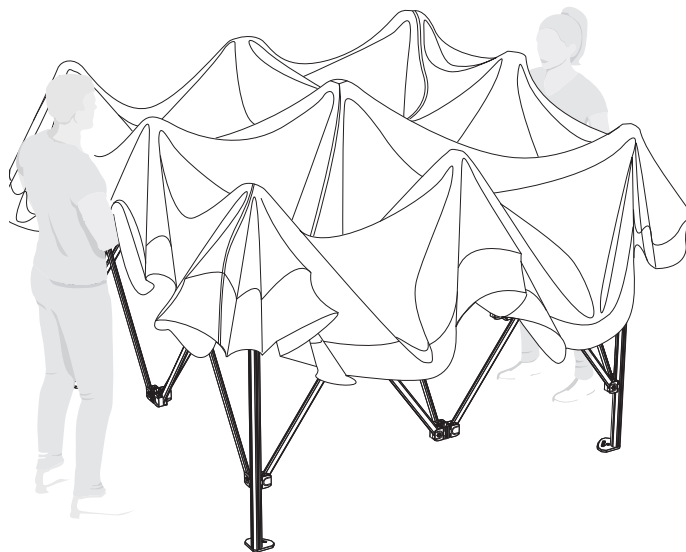
### Step 4:

Fasten the velcro straps on the inside of the fabric roof corners tightly underneath the plastic connector around the leg. Make sure that the reinforcement flap is placed symmetrically and without creases around the leg beforehand.



### Step 5:

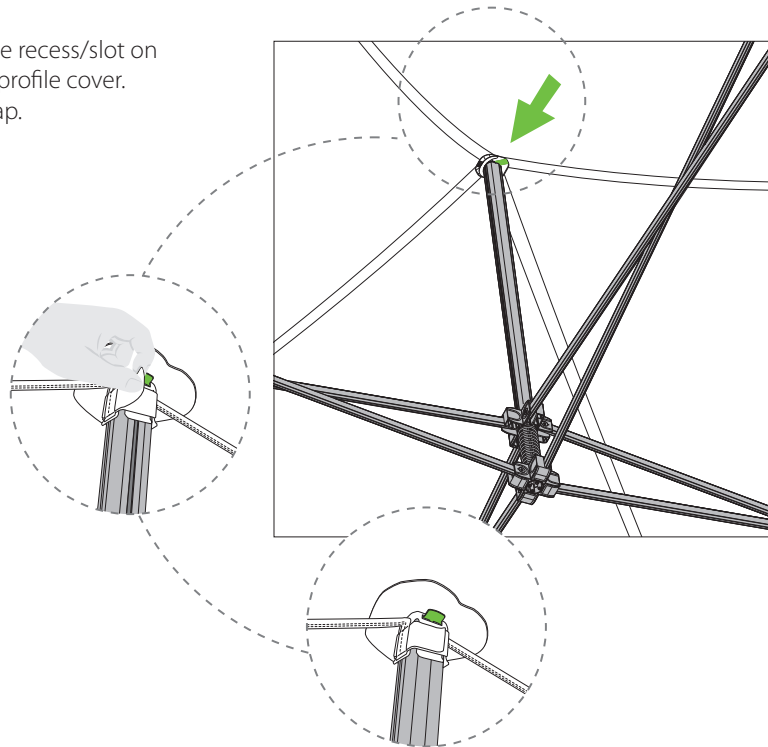
Grasp the frame again **below** the middle pivot point at the cross struts, lift slightly and open the frame by stepping backwards until the roof begins to stretch.



## ASSEMBLY

### Step 6:

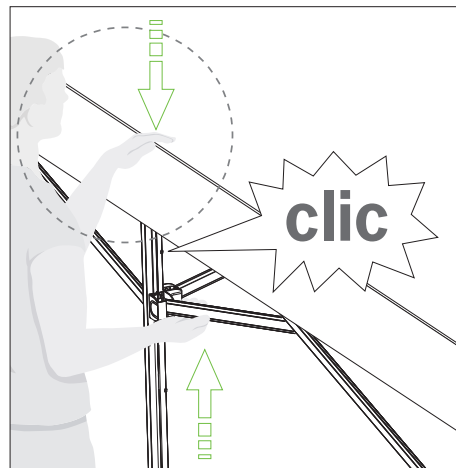
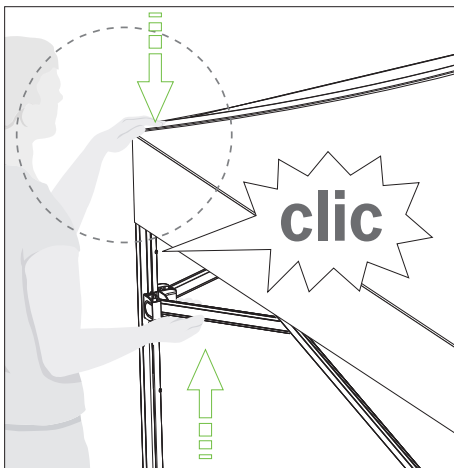
Attaching the inner fabric roof gable: Push the recess/slot on the fabric sleeve through the tongue on the profile cover. Tighten the sleeve firmly using the velcro strap.



### Step 7:

Engaging the roof strut: Push the plastic gliders out beyond the upper push button springs (metal bolts) of the corner legs. **Important:** Press down using your free hand from above.

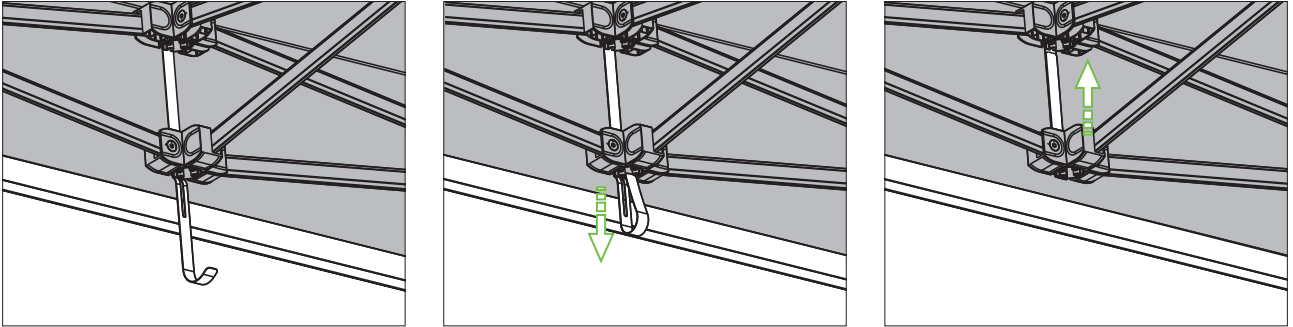
**For folding frames with centre legs (6x3):** Engage the roof strut also with the centre legs. Fix the velcro strip attached to the roof to the centre leg. The outer fabric eyelet and the inner reinforcing flap should be centred on the edge of the upper plastic connector.



## ASSEMBLY

### Step 8:

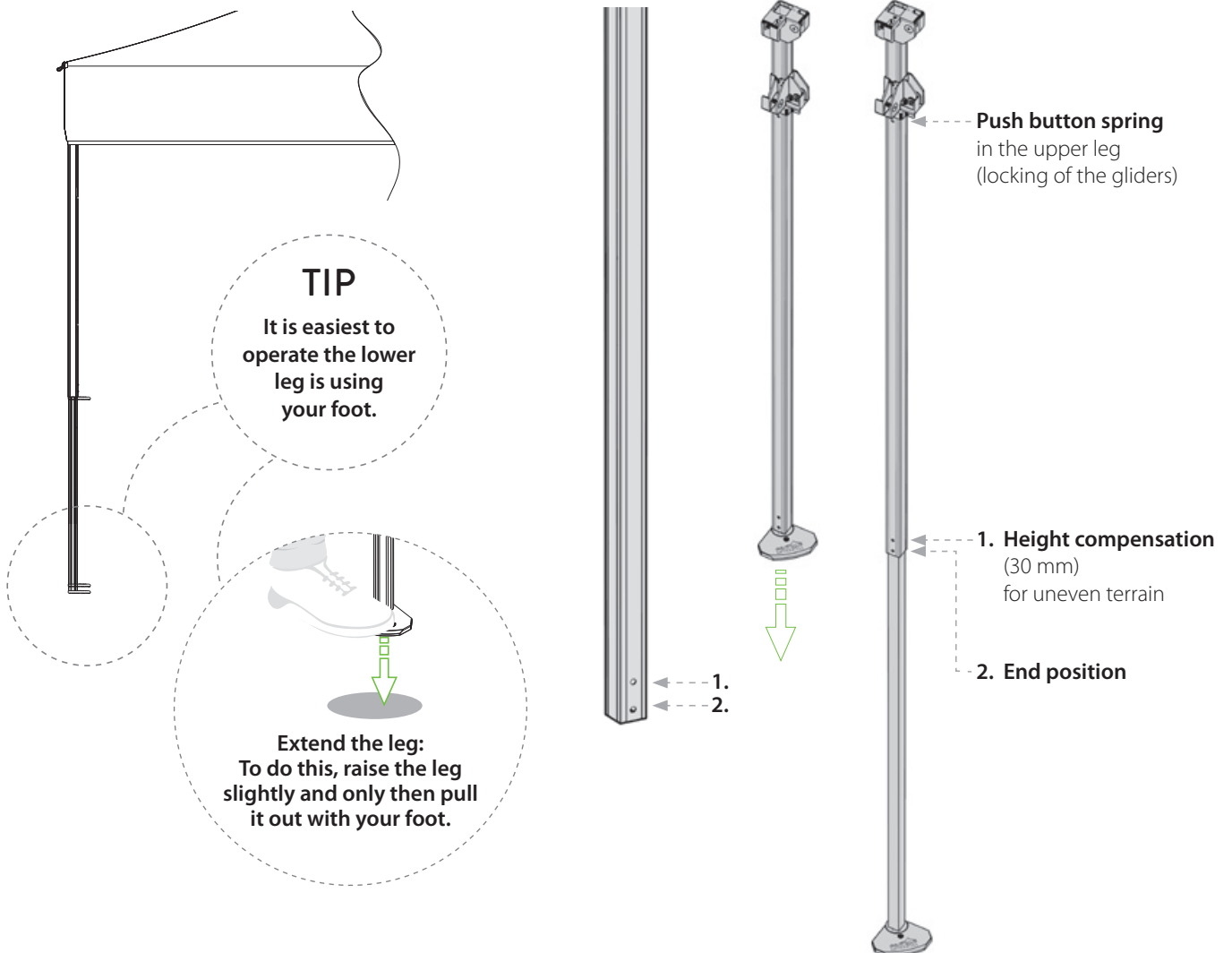
Easy tightening of the fabric roof by using the velcro straps. To do this, pull the roof panel down a little first.



### Step 9:

Now pull out all the legs to the end position (2).

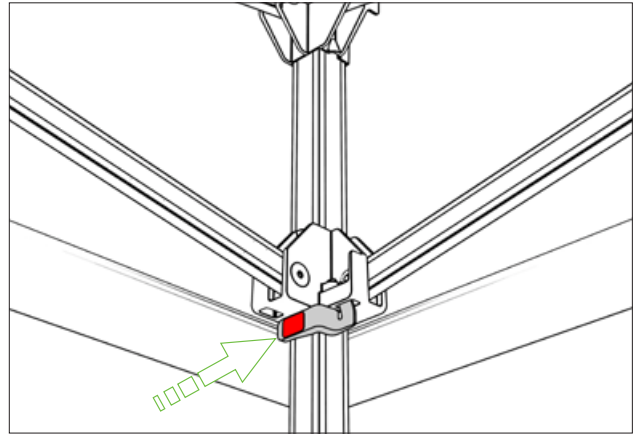
### Functional explanation of how to engage the legs



## DISMANTLING

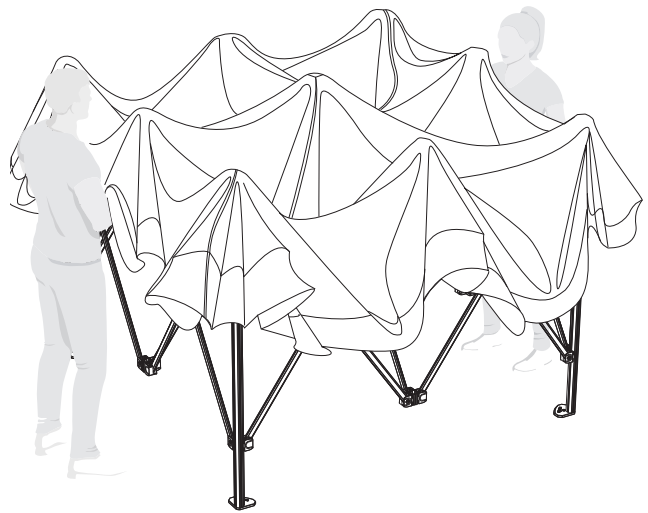
### DISMANTLING

1. Loosen all velcro straps on the roof panel.
2. Press the red push button release below the plastic gliders on each leg. This releases the pressure on the roof frame.
3. Release the push button spring and retract the legs.

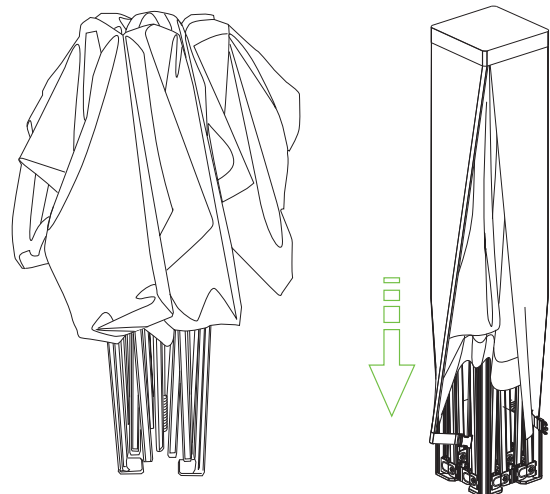


Push button release

4. Grasp the frame above the middle pivot point on the roof profiles, lift slightly and push together again by stepping forward but do not close completely to prevent jamming.
5. Push the frame together completely at the upper corners.



6. The frame can now be stowed in the mobile transport bag together with the roof, which should be smoothed out a little beforehand. To do this, open the bag completely and place it sideways over the frame with the fabric roof. Pull the bag down well. Then close the zip and the buckle.

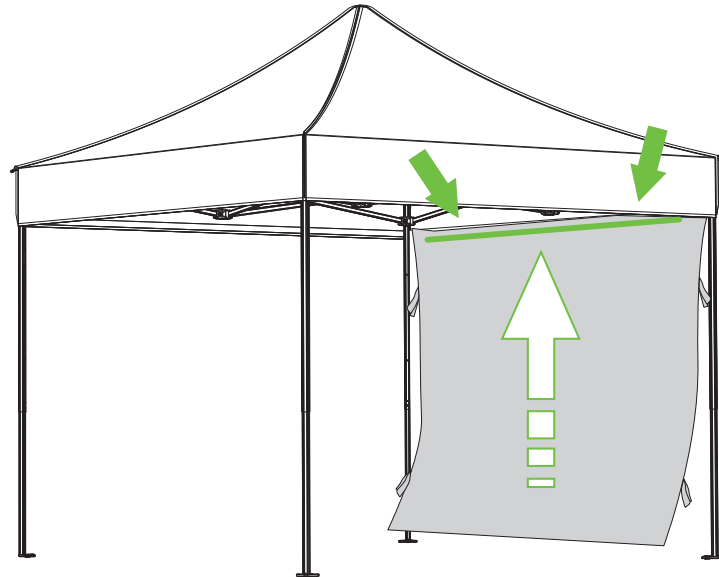




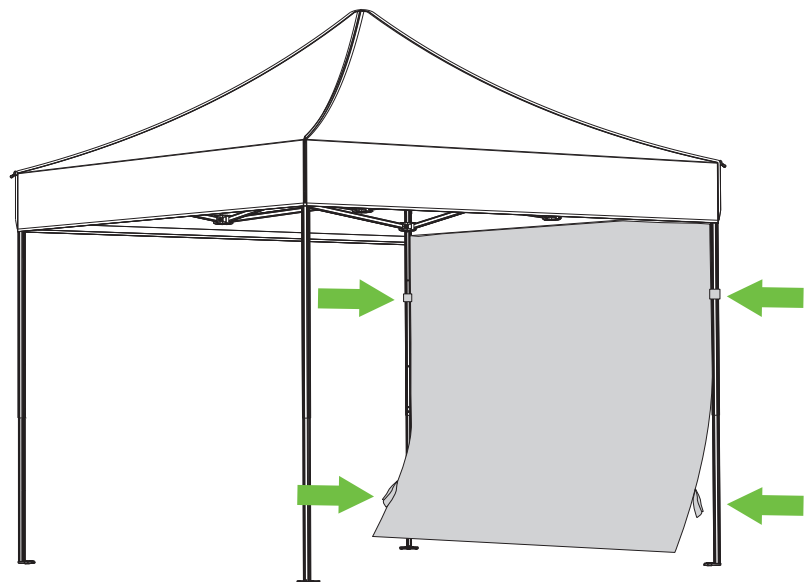
## ACCESSORIES/SIDE WALLS

### Side wall

1. Attach the side wall horizontally between the two legs to the inner roof panel.



2. Attach the side walls to the left and right of the legs with the velcro strips.



## SECURING IN WINDY CONDITIONS

Ensure that the tent is well secured according to the prevailing weather conditions.

It is sufficient to tension the tent using the loops on the roof in light to fresh winds (up to wind force 5). Use the tensioning set included in the scope of delivery to tension the tent. If the ground conditions do not allow you to use pegs, you can also use ProTent weight plates or ProTent water weights (see the next page).

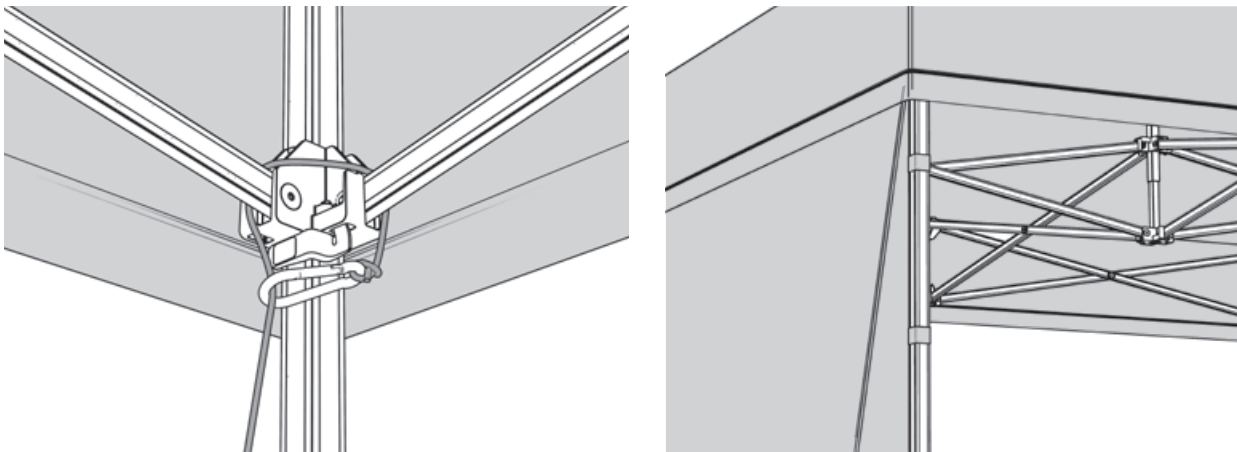
**As a general rule, we recommend weighing down even tensioned tents with weight plates.**



**IMPORTANT:** For best results, the tent should be tensioned over the corners at an angle of approximately 45°, so that the tensioning ropes are angled away from the tent.

**CAUTION:** Do not overtighten the tensioning ropes. Use a moderate amount of force to prevent them from sagging. In windy conditions, you will need to check the tension from time to time and adjust the pegs if necessary.

The tent should be stretched and tensioned over the folding structure in strong winds (force 6-7).



Pass the tensioning rope around the connector on the legs, close the carabiner and tension it outwards as usual.

The tensioning ropes are routed outwards between the valance and the side wall when combined with side walls.

**CAUTION:** In the event of a storm, or if gusts of wind (force 8 or higher) are expected, the tent must be taken down.

## SECURING IN WINDY CONDITIONS

### Hexagonal weight plate 12.5 kg

The weight plate is completely inside the folding tent and can be stacked up to 6 layers (up to 75kg per leg). The feet of the legs are fixed to the bottom weight plate with ball locking pins.



### Water weight 50 litres

The water weights are a useful alternative if pegging is not possible or if you want to secure your folding tent with additional weight (50 kg per leg). The tent is secured using the tensioning set included in the scope of delivery. An optional quick tensioning kit is available to make handling even easier - see illustration.



